



Jürgen Schlösser
Armaturen

**WE ARE THE PARTNER
FOR HEATING TECHNOLOGY**



Our company not only develops high-quality products for the heating industry, but also pursues a higher vision as well. We have taken a variety of measures to ensure an excellent standard of quality: These include, for instance, regular controls and comprehensive testing for our product range. We operate on a principle of “one face to the customer,” meaning our customers benefit from a central contact person for the entire collaboration.

WE ARE JÜRGEN SCHLÖSSER ARMATUREN.

SATISFIED CUSTOMERS ARE THE MOTIVATION
FOR OUR DAILY WORK.



Partnership and collaboration with our clients is the foundation of our company philosophy. Because of this, we focus our work on your individual specifications and needs. If you are looking for custom-tailored products in heating technology, the **Jürgen Schlösser Armaturen** portfolio is the right choice.


From individual assemblies to complex system solutions, our service covers every area. In addition, we value comprehensive quality controlling. All of our products undergo extensive testing to guarantee optimal function.

OUR PRINCIPLES.

They are based on ongoing optimizations of available products, custom-tailored solutions for any requirement, focus on high environmental standards as well as individual and personal support.

QUALITY IS OUR STANDARD

50
Mio
THERMOSTATS
MANUFACTURED



70
EMPLOYEES



+25
YEARS OF EXPERIENCE



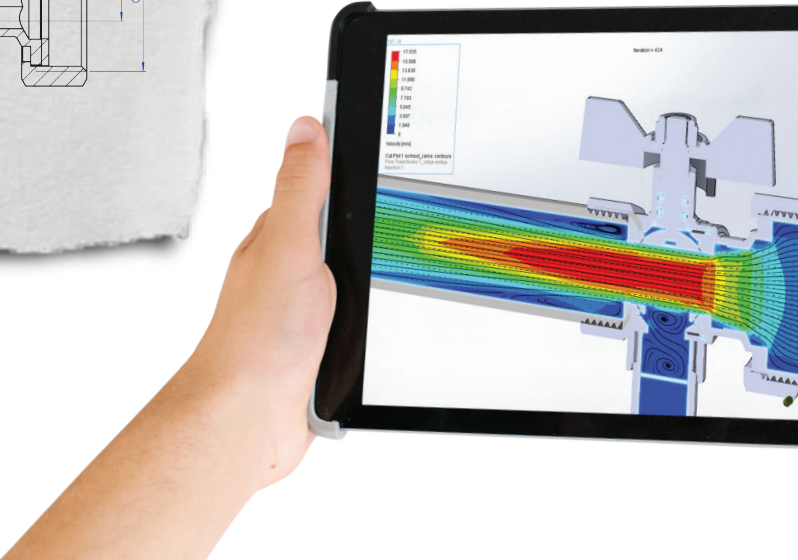
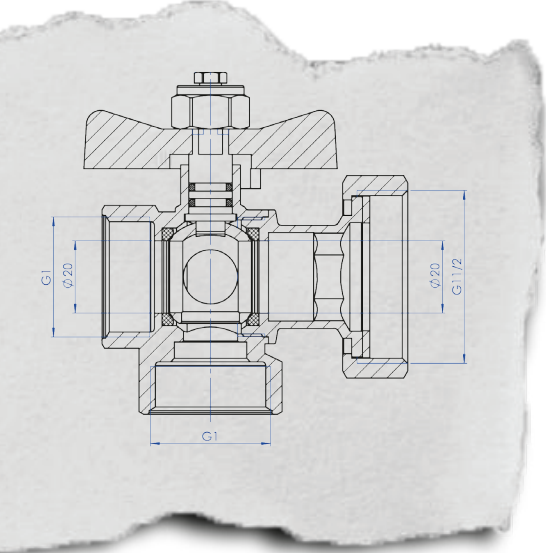
1
TEAM





THE TARGETED DEVELOPMENT PROCESS IN FOCUS.

Developing customized products is one of **Jürgen Schlösser Armaturen** core areas of expertise. We design our work to the highest quality standards and deliver tailored solutions for your application.



Our service is our innovative answer to pre-fabricated products and standardized mass produced goods from larger manufacturers. From small runs of components to full assemblies, our range includes the right products for any need.

CUSTOMER-SPECIFIC SOLUTIONS FOR PROFESSIONAL APPLICATIONS.



Your specific requirements form the basis for our design and product development process. As a result, we develop products for you that offer maximum benefit and best added value. We serve as a partner to and problem solver for our clients in heating technology as well as for product development – from initial planning to practical implementation. We handle individual design for you.

Are you interested in our product development services, but have questions on our specific process? You are invited to contact our competent team by e-mail or phone.





WE DELIVER.

PERSONAL, COMPETENT, RELIABLE.

The modern production processes of our customers need reliable partners. We are a full-service partner for the heating industry oriented on professional requirements. With our own transport fleet, we are able to react flexible even to short-term requests. Just-in-Time is not just a slogan for us, this is also lived by all our employees.

MADE BY US



**OUR PRODUCTS
YOUR ADDED VALUE.**

BLUE LINE
ROOM CONTROL

DESIGN LINE
THERMOSTATIC VALVES

BASE LINE
HVAC PRODUCTS

MANIFOLD LINE
FITTINGS AND
ACCESSORIES



Jürgen Schlösser Armaturen GmbH
Am Dassenborn 12-14
DE-57482 Wenden
Deutschland

www.juergen-schloesser-armaturen.de